

PRE-PIPED BLADDER TANKS –  
HORIZONTAL & VERTICAL

# HARDWARE



## Features

*UL Listed with SOLBERG foam concentrates*

*FM Approved with RE-HEALING™ RF3, 3% and ARCTIC 3x3% ATC™ Foam Concentrates*

*Accurate concentrate proportioning permits operation over a wide range of flow rates*

*All tanks have thermal expansion allowance for foam concentrates*

*Design simplicity minimizes system failure due to mechanical issues*

*Ease of operation, requires no outside source of power*

*Ease of retrofit into existing water based extinguishing systems*

*Manual system with automatic option available*

*Minimized installation costs compared to other proportioning methods*

*Uses existing water pressure for delivery of foam solution to the discharge devices*

## Description

SOLBERG® Pre-piped Bladder Tanks are the main component in a balanced pressure proportioning bladder tank system that requires no outside power source other than adequate water supply.

The SOLBERG Pre-piped Bladder Tank is a carbon steel pressure vessel that uses a nylon reinforced neoprene rubber bladder to store the foam concentrate. During operation the foam concentrate is discharged from the tank by the water supply, which collapses the bladder around the perforated center tube until concentrate is depleted. SOLBERG Pre-piped Bladder Tanks are available in both vertical and horizontal versions in multiple sizes.

## Application

SOLBERG Pre-piped Bladder Tanks can be used in multiple high-hazard, high-risk applications including aircraft hangars, foam-water sprinkler systems, helipads, and truck loading racks.



## Specifications

Vertical and horizontal pre-piped bladder tanks are manufactured in compliance with ASME Code Section VIII Division 1 with a design working pressure of 175 psi (12 bar) and tested to 263 psi (18 bar) — 1.5 times the working pressure. The tank is constructed out of SA 516 Grade 70 carbon steel with a nylon reinforced neoprene rubber bladder. It has a perforated center tube, and a .37" (9 mm) water channel between the water inlet and water drain valve, which creates a water path between the bladder and tank shell. Openings

*Solberg is a member of THE AMEREX GROUP, an alliance of independent companies with a singular purpose: revolutionize the course of fire suppression technology with safer, more effective, and more sustainable solutions. Together, we are Moving Industries Forward by Redefining Fire Suppression. [www.solbergfoam.com](http://www.solbergfoam.com)*

that are greater than 1.0" (25 mm) will be divided to prevent bladder damage.

Pre-piped vertical bladder tank construction shall be mounted on a full skirt with four tabs drilled for anchoring.

Pre-piped horizontal bladder tank construction shall be mounted on four legs permanently welded and drilled for anchoring.

All pre-piped bladder tanks are furnished with lifting lugs, ASME welded nameplate, 1.0" (2.5 cm) bronze trim valves with locking

handle in accordance with NFPA Standard 11, and Solberg Operation and Maintenance Manual.

The exterior of all pre-piped bladder tanks will be prepared and finished with Solberg standard blue or red enamel finish.

**Options**

- 100% X-Ray design
- Carbon or stainless steel construction
- Custom tank size and dimensions
- Epoxy or coal tar inner liner

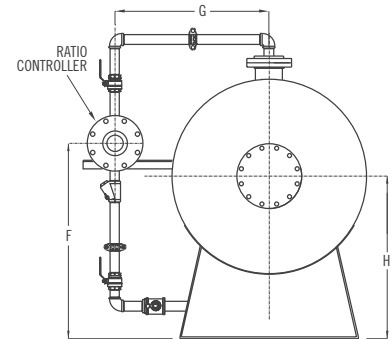
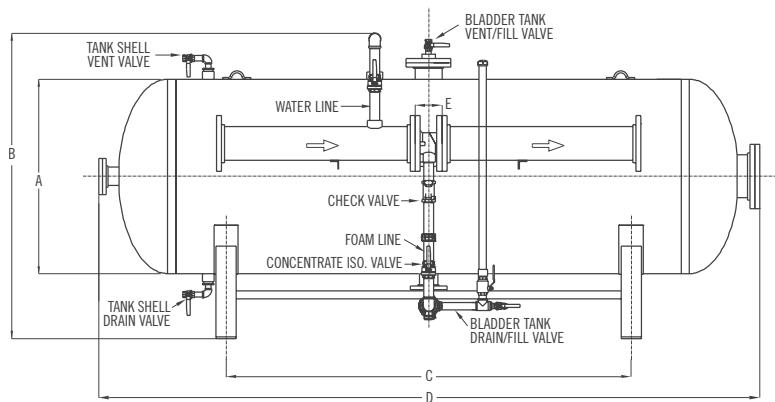
- Inspection service
- National board registration
- Pressure relief valve\*
- Seismic calculations
- Sight gage assembly
- Start-up and commission service

**Certifications**

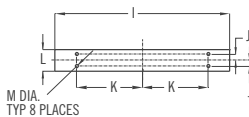
American Society of Mechanical Engineers (ASME), Underwriters Laboratories, Inc. (UL) Listed – Standard 162, FM Approved per Approval Standard 5130.

*\*Not Part of FM Approval*

**Dimensional Information - Horizontal**



Saddle for Tank



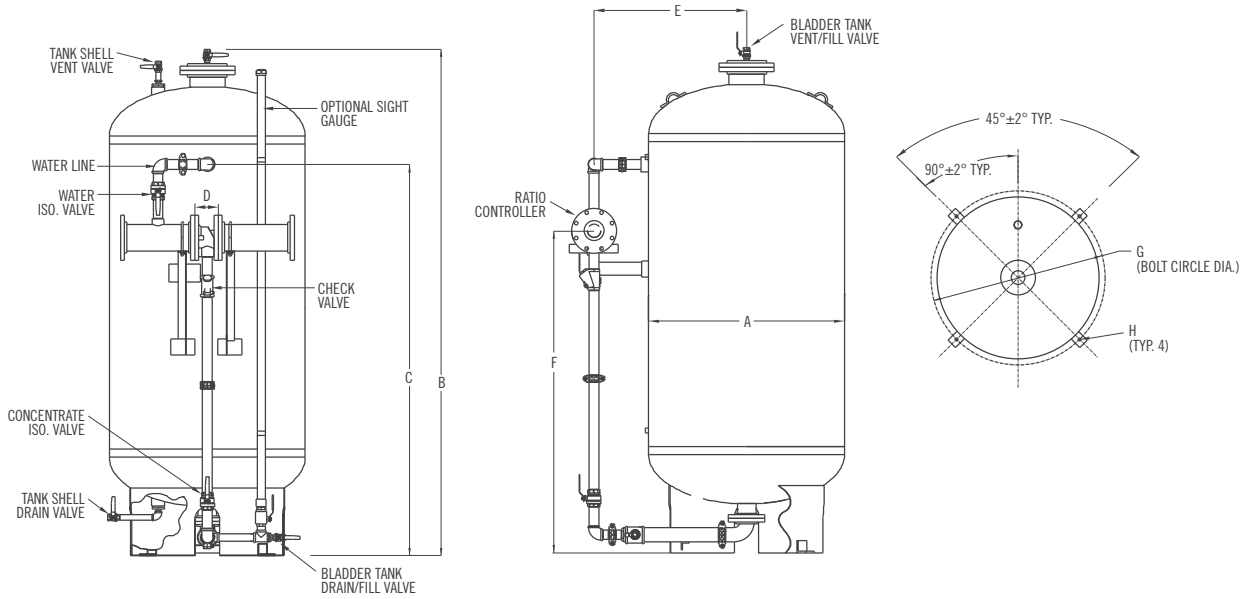
| Prop. Diameter | E    |     | Upstream and Downstream Minimum Length |      |
|----------------|------|-----|--|------|
|                | inch | mm  | inch                                   | mm   |
| 2              | 7    | 178 | 10                                     | 254  |
| 2.5            | 7    | 178 | 12.5                                   | 318  |
| 3              | 2.38 | 61  | 15                                     | 381  |
| 4              | 2.63 | 67  | 20                                     | 508  |
| 6              | 3.25 | 83  | 30                                     | 762  |
| 6 VRP          | 2.75 | 70  | 30                                     | 762  |
| 8              | 3.5  | 89  | 40                                     | 1016 |



*Dimensional Information - Horizontal*

| NOMINAL<br>TANK SIZE | DIMENSIONS Inches (Millimeters) |             |            |             |           |           |           |           |            |          |         |             |
|----------------------|---------------------------------|-------------|------------|-------------|-----------|-----------|-----------|-----------|------------|----------|---------|-------------|
|                      | Gallon<br>(Litre)               | A           | B          | C           | D         | F         | G         | H         | I          | J        | K       | L           |
| 50 (189)             | 20 (508)                        | 41.5 (1055) | 14 (356)   | 55.5 (1410) | 35 (889)  | 24 (610)  | 22 (559)  | 20 (508)  | 0.875 (23) | 7 (178)  | 3 (77)  | 0.5625 (15) |
| 100 (379)            | 24 (610)                        | 45.5 (1156) | 22 (559)   | 72 (1829)   | 35 (889)  | 26 (661)  | 24 (610)  | 24 (610)  | 0.875 (23) | 9 (229)  | 3 (77)  | 0.5625 (15) |
| 150 (568)            | 30 (762)                        | 51.5 (1309) | 36 (915)   | 71 (1804)   | 38 (966)  | 29 (737)  | 27 (686)  | 30 (762)  | 1.125 (29) | 11 (280) | 4 (102) | 0.5625 (15) |
| 200 (757)            | 30 (762)                        | 51.5 (1309) | 34 (864)   | 89 (2261)   | 38 (966)  | 29 (737)  | 27 (686)  | 30 (762)  | 1.125 (29) | 11 (280) | 4 (102) | 0.5625 (15) |
| 300 (1136)           | 36 (915)                        | 58 (1474)   | 36 (915)   | 93 (2363)   | 52 (1321) | 32 (813)  | 30 (762)  | 34 (864)  | 1.125 (29) | 13 (331) | 4 (102) | 0.5625 (15) |
| 400 (1514)           | 42 (1067)                       | 64 (1626)   | 50 (1270)  | 93 (2363)   | 52 (1321) | 35 (889)  | 33 (839)  | 40 (1016) | 1.375 (35) | 15 (381) | 5 (127) | 0.6875 (18) |
| 500 (1893)           | 42 (1067)                       | 64 (1626)   | 48 (1220)  | 112 (2845)  | 52 (1321) | 35 (889)  | 33 (839)  | 40 (1016) | 1.375 (35) | 15 (381) | 5 (127) | 0.6875 (18) |
| 600 (2271)           | 42 (1067)                       | 64 (1626)   | 60 (1524)  | 131 (3328)  | 52 (1321) | 35 (889)  | 33 (839)  | 40 (1016) | 1.375 (35) | 15 (381) | 5 (127) | 0.6875 (18) |
| 700 (2650)           | 48 (1220)                       | 74 (1880)   | 50 (1270)  | 119 (3023)  | 60 (1524) | 38 (966)  | 40 (1016) | 44 (1118) | 1.375 (35) | 17 (432) | 5 (127) | 0.6875 (18) |
| 800 (3028)           | 48 (1220)                       | 74 (1880)   | 60 (1524)  | 134 (3404)  | 60 (1524) | 38 (966)  | 40 (1016) | 44 (1118) | 1.375 (35) | 17 (432) | 5 (127) | 0.6875 (18) |
| 900 (3407)           | 48 (1220)                       | 74 (1880)   | 70 (1778)  | 148 (3760)  | 60 (1524) | 38 (966)  | 40 (1016) | 44 (1118) | 1.375 (35) | 17 (432) | 5 (127) | 0.6875 (18) |
| 1000 (3785)          | 48 (1220)                       | 74 (1880)   | 94 (2388)  | 163 (4141)  | 60 (1524) | 38 (966)  | 40 (1016) | 44 (1118) | 1.375 (35) | 17 (432) | 5 (127) | 0.6875 (18) |
| 1100 (4164)          | 48 (1220)                       | 74 (1880)   | 100 (2540) | 177 (4496)  | 60 (1524) | 38 (966)  | 40 (1016) | 44 (1118) | 1.375 (35) | 17 (432) | 5 (127) | 0.6875 (18) |
| 1200 (4542)          | 60 (1524)                       | 86 (2185)   | 58 (1474)  | 131 (3328)  | 60 (1524) | 44 (1118) | 46 (1169) | 54 (1372) | 1.75 (45)  | 22 (559) | 6 (153) | 0.6875 (18) |
| 1300 (4921)          | 60 (1524)                       | 86 (2185)   | 60 (1524)  | 141 (3582)  | 60 (1524) | 44 (1118) | 46 (1169) | 54 (1372) | 1.75 (45)  | 22 (559) | 6 (153) | 0.6875 (18) |
| 1400 (5299)          | 60 (1524)                       | 86 (2185)   | 76 (1931)  | 151 (3836)  | 60 (1524) | 44 (1118) | 46 (1169) | 54 (1372) | 1.75 (45)  | 22 (559) | 6 (153) | 0.6875 (18) |
| 1500 (5678)          | 60 (1524)                       | 86 (2185)   | 80 (2032)  | 159 (4039)  | 60 (1524) | 44 (1118) | 46 (1169) | 54 (1372) | 1.75 (45)  | 22 (559) | 6 (153) | 0.6875 (18) |
| 1600 (6056)          | 72 (1829)                       | 96 (2439)   | 44 (1118)  | 125 (3175)  | 70 (1778) | 50 (1270) | 50 (1270) | 64 (1626) | 2.75 (70)  | 28 (712) | 8 (204) | 1.0625 (27) |
| 1800 (6813)          | 72 (1829)                       | 96 (2439)   | 56 (1423)  | 138 (3506)  | 70 (1778) | 50 (1270) | 50 (1270) | 64 (1626) | 2.75 (70)  | 28 (712) | 8 (204) | 1.0625 (27) |
| 1900 (7192)          | 72 (1829)                       | 96 (2439)   | 60 (1524)  | 144 (3658)  | 70 (1778) | 50 (1270) | 50 (1270) | 64 (1626) | 2.75 (70)  | 28 (712) | 8 (204) | 1.0625 (27) |
| 2000 (7570)          | 72 (1829)                       | 96 (2439)   | 70 (1778)  | 151 (3836)  | 70 (1778) | 50 (1270) | 50 (1270) | 64 (1626) | 2.75 (70)  | 28 (712) | 8 (204) | 1.0625 (27) |
| 2200 (8327)          | 72 (1829)                       | 96 (2439)   | 80 (2032)  | 164 (4166)  | 70 (1778) | 50 (1270) | 50 (1270) | 64 (1626) | 2.75 (70)  | 28 (712) | 8 (204) | 1.0625 (27) |
| 2400 (9084)          | 72 (1829)                       | 96 (2439)   | 80 (2032)  | 177 (4496)  | 70 (1778) | 50 (1270) | 50 (1270) | 64 (1626) | 2.75 (70)  | 28 (712) | 8 (204) | 1.0625 (27) |
| 2600 (9841)          | 72 (1829)                       | 96 (2439)   | 100 (2540) | 189 (4801)  | 70 (1778) | 50 (1270) | 50 (1270) | 64 (1626) | 2.75 (70)  | 28 (712) | 8 (204) | 1.0625 (27) |
| 2800 (10598)         | 72 (1829)                       | 96 (2439)   | 100 (2540) | 202 (5131)  | 70 (1778) | 50 (1270) | 50 (1270) | 64 (1626) | 2.75 (70)  | 28 (712) | 8 (204) | 1.0625 (27) |
| 3000 (11355)         | 72 (1829)                       | 96 (2439)   | 120 (3048) | 215 (5461)  | 70 (1778) | 50 (1270) | 50 (1270) | 64 (1626) | 2.75 (70)  | 28 (712) | 8 (204) | 1.0625 (27) |
| 3200 (12112)         | 72 (1829)                       | 96 (2439)   | 120 (3048) | 228 (5792)  | 70 (1778) | 50 (1270) | 50 (1270) | 64 (1626) | 2.75 (70)  | 28 (712) | 8 (204) | 1.0625 (27) |
| 3300 (12491)         | 72 (1829)                       | 96 (2439)   | 120 (3048) | 234 (5944)  | 70 (1778) | 50 (1270) | 50 (1270) | 64 (1626) | 2.75 (70)  | 28 (712) | 8 (204) | 1.0625 (27) |

*Dimensional Information - Vertical*



*Dimensional Information - Vertical*

**NOMINAL TANK SIZE**

| Gallon (Litre) | DIMENSIONS Inches (Millimeters) |             |             |           |           |             |             |
|----------------|---------------------------------|-------------|-------------|-----------|-----------|-------------|-------------|
|                | A                               | B           | C           | E         | F         | G           | H           |
| 36 (136)       | 24 (610)                        | 46.5 (1182) | 46.5 (1182) | 26 (661)  | 35 (889)  | 26.75 (680) | 0.5625 (15) |
| 50 (189)       | 24 (610)                        | 54.5 (1385) | 54.5 (1385) | 26 (661)  | 42 (1067) | 26.75 (680) | 0.5625 (15) |
| 100 (379)      | 24 (610)                        | 83.5 (2121) | 83.5 (2121) | 26 (661)  | 45 (1143) | 26.75 (680) | 0.5625 (15) |
| 150 (568)      | 30 (762)                        | 82.5 (2096) | 82.5 (2096) | 29 (737)  | 48 (1220) | 27.75 (705) | 0.5625 (15) |
| 200 (757)      | 30 (762)                        | 101 (2566)  | 101 (2566)  | 29 (737)  | 48 (1220) | 27.75 (705) | 0.5625 (15) |
| 300 (1136)     | 36 (915)                        | 105 (2667)  | 105 (2667)  | 32 (813)  | 60 (1524) | 32.75 (832) | 0.5625 (15) |
| 400 (1514)     | 42 (1067)                       | 99 (2515)   | 99 (2515)   | 35 (889)  | 65 (1651) | 41.5 (1055) | 0.6875 (18) |
| 500 (1893)     | 42 (1067)                       | 124 (3150)  | 124 (3150)  | 35 (889)  | 65 (1651) | 41.5 (1055) | 0.6875 (18) |
| 600 (2271)     | 48 (1220)                       | 117 (2972)  | 117 (2972)  | 38 (966)  | 65 (1651) | 41.5 (1055) | 0.6875 (18) |
| 700 (2650)     | 48 (1220)                       | 131 (3328)  | 131 (3328)  | 38 (966)  | 65 (1651) | 41.5 (1055) | 0.6875 (18) |
| 800 (3028)     | 48 (1220)                       | 149 (3785)  | 149 (3785)  | 38 (966)  | 65 (1651) | 51.5 (1309) | 0.6875 (18) |
| 900 (3407)     | 60 (1524)                       | 119 (3023)  | 119 (3023)  | 44 (1118) | 75 (1905) | 51.5 (1309) | 0.6875 (18) |
| 1000 (3785)    | 60 (1524)                       | 129 (3277)  | 129 (3277)  | 44 (1118) | 75 (1905) | 51.5 (1309) | 0.8125 (21) |
| 1100 (4164)    | 60 (1524)                       | 138 (3506)  | 138 (3506)  | 44 (1118) | 75 (1905) | 51.5 (1309) | 0.8125 (21) |
| 1200 (4542)    | 60 (1524)                       | 147 (3734)  | 147 (3734)  | 44 (1118) | 75 (1905) | 51.5 (1309) | 0.8125 (21) |
| 1300 (4921)    | 60 (1524)                       | 157 (3988)  | 157 (3988)  | 44 (1118) | 75 (1905) | 51.5 (1309) | 0.8125 (21) |
| 1400 (5299)    | 60 (1524)                       | 166 (4217)  | 166 (4217)  | 44 (1118) | 75 (1905) | 51.5 (1309) | 0.8125 (21) |
| 1500 (5678)    | 60 (1524)                       | 175 (4445)  | 175 (4445)  | 44 (1118) | 75 (1905) | 51.5 (1309) | 0.8125 (21) |
| 1600 (6056)    | 72 (1829)                       | 141 (3582)  | 141 (3582)  | 50 (1270) | 80 (2032) | 57.5 (1461) | 0.8125 (21) |
| 1700 (6435)    | 72 (1829)                       | 147 (3734)  | 147 (3734)  | 50 (1270) | 80 (2032) | 57.5 (1461) | 0.8125 (21) |





**Ordering Information - Horizontal**

| PART NO. | DESCRIPTION  | APPROXIMATE EMPTY WEIGHT |      |
|----------|--|--------------------------|------|
|          |  | lb                       | kg   |
| 22201B   | Bladder Tank, Pre-piped w/2" Prop. 50 gallon Horizontal, Blue Enamel Finish      | 428.5                    | 195  |
| 22201R   | Bladder Tank, Pre-piped w/2" Prop. 50 gallon Horizontal, Red Enamel Finish       | 428.5                    | 195  |
| 22202B   | Bladder Tank, Pre-piped w/2-1/2" Prop. 50 gallon Horizontal, Blue Enamel Finish  | 451                      | 205  |
| 22202R   | Bladder Tank, Pre-piped w/2-1/2" Prop. 50 gallon Horizontal, Red Enamel Finish   | 451                      | 205  |
| 22203B   | Bladder Tank, Pre-piped w/2" Prop. 100 gallon Horizontal, Blue Enamel Finish     | 719.5                    | 327  |
| 22203R   | Bladder Tank, Pre-piped w/2" Prop. 100 gallon Horizontal, Red Enamel Finish      | 719.5                    | 327  |
| 22204B   | Bladder Tank, Pre-piped w/2-1/2" Prop. 100 gallon Horizontal, Blue Enamel Finish | 742                      | 337  |
| 22204R   | Bladder Tank, Pre-piped w/2-1/2" Prop. 100 gallon Horizontal, Red Enamel Finish  | 742                      | 337  |
| 22205B   | Bladder Tank, Pre-piped w/3" Prop. 100 gallon Horizontal, Blue Enamel Finish     | 819.6                    | 372  |
| 22205R   | Bladder Tank, Pre-piped w/3" Prop. 100 gallon Horizontal, Red Enamel Finish      | 819.6                    | 372  |
| 22206B   | Bladder Tank, Pre-piped w/2-1/2" Prop. 150 gallon Horizontal, Blue Enamel Finish | 1031                     | 468  |
| 22206R   | Bladder Tank, Pre-piped w/2-1/2" Prop. 150 gallon Horizontal, Red Enamel Finish  | 1031                     | 468  |
| 22207B   | Bladder Tank, Pre-piped w/3" Prop. 150 gallon Horizontal, Blue Enamel Finish     | 1108.6                   | 503  |
| 22207R   | Bladder Tank, Pre-piped w/3" Prop. 150 gallon Horizontal, Red Enamel Finish      | 1108.6                   | 503  |
| 22208B   | Bladder Tank, Pre-piped w/4" Prop. 150 gallon Horizontal, Blue Enamel Finish     | 1183.9                   | 538  |
| 22208R   | Bladder Tank, Pre-piped w/4" Prop. 150 gallon Horizontal, Red Enamel Finish      | 1183.9                   | 538  |
| 22209B   | Bladder Tank, Pre-piped w/3" Prop. 200 gallon Horizontal, Blue Enamel Finish     | 1305.6                   | 593  |
| 22209R   | Bladder Tank, Pre-piped w/3" Prop. 200 gallon Horizontal, Red Enamel Finish      | 1305.6                   | 593  |
| 22210B   | Bladder Tank, Pre-piped w/4" Prop. 200 gallon Horizontal, Blue Enamel Finish     | 1380.9                   | 627  |
| 22210R   | Bladder Tank, Pre-piped w/4" Prop. 200 gallon Horizontal, Red Enamel Finish      | 1380.9                   | 627  |
| 22211B   | Bladder Tank, Pre-piped w/6" Prop. 200 gallon Horizontal, Blue Enamel Finish     | 1536.3                   | 697  |
| 22211R   | Bladder Tank, Pre-piped w/6" Prop. 200 gallon Horizontal, Red Enamel Finish      | 1536.3                   | 697  |
| 22212B   | Bladder Tank, Pre-piped w/3" Prop. 300 gallon Horizontal, Blue Enamel Finish     | 1722.6                   | 782  |
| 22212R   | Bladder Tank, Pre-piped w/3" Prop. 300 gallon Horizontal, Red Enamel Finish      | 1722.6                   | 782  |
| 22213B   | Bladder Tank, Pre-piped w/4" Prop. 300 gallon Horizontal, Blue Enamel Finish     | 1797.9                   | 816  |
| 22213R   | Bladder Tank, Pre-piped w/4" Prop. 300 gallon Horizontal, Red Enamel Finish      | 1797.9                   | 816  |
| 22214B   | Bladder Tank, Pre-piped w/6" Prop. 300 gallon Horizontal, Blue Enamel Finish     | 1953.3                   | 887  |
| 22214R   | Bladder Tank, Pre-piped w/6" Prop. 300 gallon Horizontal, Red Enamel Finish      | 1953.3                   | 887  |
| 22215B   | Bladder Tank, Pre-piped w/4" Prop. 400 gallon Horizontal, Blue Enamel Finish     | 2113.9                   | 959  |
| 22215R   | Bladder Tank, Pre-piped w/4" Prop. 400 gallon Horizontal, Red Enamel Finish      | 2113.9                   | 959  |
| 22216B   | Bladder Tank, Pre-piped w/6" Prop. 400 gallon Horizontal, Blue Enamel Finish     | 2269.3                   | 1030 |
| 22216R   | Bladder Tank, Pre-piped w/6" Prop. 400 gallon Horizontal, Red Enamel Finish      | 2269.3                   | 1030 |
| 22217B   | Bladder Tank, Pre-piped w/8" Prop. 400 gallon Horizontal, Blue Enamel Finish     | 2505.2                   | 1137 |
| 22217R   | Bladder Tank, Pre-piped w/8" Prop. 400 gallon Horizontal, Red Enamel Finish      | 2505.2                   | 1137 |
| 22218B   | Bladder Tank, Pre-piped w/4" Prop. 500 gallon Horizontal, Blue Enamel Finish     | 2373.9                   | 1077 |
| 22218R   | Bladder Tank, Pre-piped w/4" Prop. 500 gallon Horizontal, Red Enamel Finish      | 2373.9                   | 1077 |
| 22219B   | Bladder Tank, Pre-piped w/6" Prop. 500 gallon Horizontal, Blue Enamel Finish     | 2529.3                   | 1148 |
| 22219R   | Bladder Tank, Pre-piped w/6" Prop. 500 gallon Horizontal, Red Enamel Finish      | 2529.3                   | 1148 |
| 22220B   | Bladder Tank, Pre-piped w/8" Prop. 500 gallon Horizontal, Blue Enamel Finish     | 2765.2                   | 1255 |
| 22220R   | Bladder Tank, Pre-piped w/8" Prop. 500 gallon Horizontal, Red Enamel Finish      | 2765.2                   | 1255 |





*Ordering Information - Horizontal continued*

| PART NO. | DESCRIPTION   | APPROXIMATE<br>EMPTY WEIGHT |      |
|----------|---|-----------------------------|------|
|          |   | lb                          | kg   |
| 22221B   | Bladder Tank, Pre-piped w/4" Prop. 600 gallon Horizontal, Blue Enamel Finish  | 2480.9                      | 1126 |
| 22221R   | Bladder Tank, Pre-piped w/4" Prop. 600 gallon Horizontal, Red Enamel Finish   | 2480.9                      | 1126 |
| 22222B   | Bladder Tank, Pre-piped w/6" prop. 600 gallon Horizontal, Blue Enamel Finish  | 2636.3                      | 1196 |
| 22222R   | Bladder Tank, Pre-piped w/6" prop. 600 gallon Horizontal, Red Enamel Finish   | 2636.3                      | 1196 |
| 22223B   | Bladder Tank, Pre-piped w/8" prop. 600 gallon Horizontal, Blue Enamel Finish  | 2872.2                      | 1303 |
| 22223R   | Bladder Tank, Pre-piped w/8" prop. 600 gallon Horizontal, Red Enamel Finish   | 2872.2                      | 1303 |
| 22224B   | Bladder Tank, Pre-piped w/4" prop. 700 gallon Horizontal, Blue Enamel Finish  | 2887.9                      | 1310 |
| 22224R   | Bladder Tank, Pre-piped w/4" prop. 700 gallon Horizontal, Red Enamel Finish   | 2887.9                      | 1310 |
| 22225B   | Bladder Tank, Pre-piped w/6" prop. 700 gallon Horizontal, Blue Enamel Finish  | 3043.3                      | 1381 |
| 22225R   | Bladder Tank, Pre-piped w/6" prop. 700 gallon Horizontal, Red Enamel Finish   | 3043.3                      | 1381 |
| 22226B   | Bladder Tank, Pre-piped w/8" prop. 700 gallon Horizontal, Blue Enamel Finish  | 3279.2                      | 1488 |
| 22226R   | Bladder Tank, Pre-piped w/8" prop. 700 gallon Horizontal, Red Enamel Finish   | 3279.2                      | 1488 |
| 22227B   | Bladder Tank, Pre-piped w/4" prop. 800 gallon Horizontal, Blue Enamel Finish  | 3541.9                      | 1607 |
| 22227R   | Bladder Tank, Pre-piped w/4" prop. 800 gallon Horizontal, Red Enamel Finish   | 3541.9                      | 1607 |
| 22228B   | Bladder Tank, Pre-piped w/6" prop. 800 gallon Horizontal, Blue Enamel Finish  | 3697.3                      | 1678 |
| 22228R   | Bladder Tank, Pre-piped w/6" prop. 800 gallon Horizontal, Red Enamel Finish   | 3697.3                      | 1678 |
| 22229B   | Bladder Tank, Pre-piped w/8" prop. 800 gallon Horizontal, Blue Enamel Finish  | 3933.2                      | 1785 |
| 22229R   | Bladder Tank, Pre-piped w/8" prop. 800 gallon Horizontal, Red Enamel Finish   | 3933.2                      | 1785 |
| 22230B   | Bladder Tank, Pre-piped w/4" prop. 900 gallon Horizontal, Blue Enamel Finish  | 3898.9                      | 1769 |
| 22230R   | Bladder Tank, Pre-piped w/4" prop. 900 gallon Horizontal, Red Enamel Finish   | 3898.9                      | 1769 |
| 22231B   | Bladder Tank, Pre-piped w/6" prop. 900 gallon Horizontal, Blue Enamel Finish  | 4054.3                      | 1839 |
| 22231R   | Bladder Tank, Pre-piped w/6" prop. 900 gallon Horizontal, Red Enamel Finish   | 4054.3                      | 1839 |
| 22232B   | Bladder Tank, Pre-piped w/8" prop. 900 gallon Horizontal, Blue Enamel Finish  | 4290.2                      | 1947 |
| 22232R   | Bladder Tank, Pre-piped w/8" prop. 900 gallon Horizontal, Red Enamel Finish   | 4290.2                      | 1947 |
| 22233B   | Bladder Tank, Pre-piped w/4" prop. 1000 gallon Horizontal, Blue Enamel Finish | 4115.9                      | 1867 |
| 22233R   | Bladder Tank, Pre-piped w/4" prop. 1000 gallon Horizontal, Red Enamel Finish  | 4115.9                      | 1867 |
| 22234B   | Bladder Tank, Pre-piped w/6" prop. 1000 gallon Horizontal, Blue Enamel Finish | 4271.3                      | 1938 |
| 22234R   | Bladder Tank, Pre-piped w/6" prop. 1000 gallon Horizontal, Red Enamel Finish  | 4271.3                      | 1938 |
| 22235B   | Bladder Tank, Pre-piped w/8" prop. 1000 gallon Horizontal, Blue Enamel Finish | 4507.2                      | 2045 |
| 22235R   | Bladder Tank, Pre-piped w/8" prop. 1000 gallon Horizontal, Red Enamel Finish  | 4507.2                      | 2045 |
| 22236B   | Bladder Tank, Pre-piped w/4" prop. 1100 gallon Horizontal, Blue Enamel Finish | 4499.9                      | 2042 |
| 22236R   | Bladder Tank, Pre-piped w/4" prop. 1100 gallon Horizontal, Red Enamel Finish  | 4499.9                      | 2042 |
| 22237B   | Bladder Tank, Pre-piped w/6" prop. 1100 gallon Horizontal, Blue Enamel Finish | 4655.3                      | 2112 |
| 22237R   | Bladder Tank, Pre-piped w/6" prop. 1100 gallon Horizontal, Red Enamel Finish  | 4655.3                      | 2112 |
| 22238B   | Bladder Tank, Pre-piped w/8" prop. 1100 gallon Horizontal, Blue Enamel Finish | 4891.2                      | 2219 |
| 22238R   | Bladder Tank, Pre-piped w/8" prop. 1100 gallon Horizontal, Red Enamel Finish  | 4891.2                      | 2219 |





*Ordering Information - Horizontal continued*

| PART NO. | DESCRIPTION   | APPROXIMATE<br>EMPTY WEIGHT |      |
|----------|---|-----------------------------|------|
|          |   | lb                          | kg   |
| 22239B   | Bladder Tank, Pre-piped w/4" prop. 1200 gallon Horizontal, Blue Enamel Finish | 4566.9                      | 2072 |
| 22239R   | Bladder Tank, Pre-piped w/4" prop. 1200 gallon Horizontal, Red Enamel Finish  | 4566.9                      | 2072 |
| 22240B   | Bladder Tank, Pre-piped w/6" prop. 1200 gallon Horizontal, Blue Enamel Finish | 4722.3                      | 2142 |
| 22240R   | Bladder Tank, Pre-piped w/6" prop. 1200 gallon Horizontal, Red Enamel Finish  | 4722.3                      | 2142 |
| 22241B   | Bladder Tank, Pre-piped w/8" prop. 1200 gallon Horizontal, Blue Enamel Finish | 4958.2                      | 2250 |
| 22241R   | Bladder Tank, Pre-piped w/8" prop. 1200 gallon Horizontal, Red Enamel Finish  | 4958.2                      | 2250 |
| 22242B   | Bladder Tank, Pre-piped w/4" prop. 1300 gallon Horizontal, Blue Enamel Finish | 4869.9                      | 2209 |
| 22242R   | Bladder Tank, Pre-piped w/4" prop. 1300 gallon Horizontal, Red Enamel Finish  | 4869.9                      | 2209 |
| 22243B   | Bladder Tank, Pre-piped w/6" prop. 1300 gallon Horizontal, Blue Enamel Finish | 5025.3                      | 2280 |
| 22243R   | Bladder Tank, Pre-piped w/6" prop. 1300 gallon Horizontal, Red Enamel Finish  | 5025.3                      | 2280 |
| 22244B   | Bladder Tank, Pre-piped w/8" prop. 1300 gallon Horizontal, Blue Enamel Finish | 5261.2                      | 2387 |
| 22244R   | Bladder Tank, Pre-piped w/8" prop. 1300 gallon Horizontal, Red Enamel Finish  | 5261.2                      | 2387 |
| 22245B   | Bladder Tank, Pre-piped w/4" prop. 1400 gallon Horizontal, Blue Enamel Finish | 5156.9                      | 2340 |
| 22245R   | Bladder Tank, Pre-piped w/4" prop. 1400 gallon Horizontal, Red Enamel Finish  | 5156.9                      | 2340 |
| 22246B   | Bladder Tank, Pre-piped w/6" prop. 1400 gallon Horizontal, Blue Enamel Finish | 5312.3                      | 2410 |
| 22246R   | Bladder Tank, Pre-piped w/6" prop. 1400 gallon Horizontal, Red Enamel Finish  | 5312.3                      | 2410 |
| 22247B   | Bladder Tank, Pre-piped w/8" prop. 1400 gallon Horizontal, Blue Enamel Finish | 5548.2                      | 2517 |
| 22247R   | Bladder Tank, Pre-piped w/8" prop. 1400 gallon Horizontal, Red Enamel Finish  | 5548.2                      | 2517 |
| 22248B   | Bladder Tank, Pre-piped w/4" prop. 1500 gallon Horizontal, Blue Enamel Finish | 5537.9                      | 2512 |
| 22248R   | Bladder Tank, Pre-piped w/4" prop. 1500 gallon Horizontal, Red Enamel Finish  | 5537.9                      | 2512 |
| 22249B   | Bladder Tank, Pre-piped w/6" prop. 1500 gallon Horizontal, Blue Enamel Finish | 5693.3                      | 2583 |
| 22249R   | Bladder Tank, Pre-piped w/6" prop. 1500 gallon Horizontal, Red Enamel Finish  | 5693.3                      | 2583 |
| 22250B   | Bladder Tank, Pre-piped w/8" prop. 1500 gallon Horizontal, Blue Enamel Finish | 5929.2                      | 2690 |
| 22250R   | Bladder Tank, Pre-piped w/8" prop. 1500 gallon Horizontal, Red Enamel Finish  | 5929.2                      | 2690 |
| 22251B   | Bladder Tank, Pre-piped w/4" prop. 1600 gallon Horizontal, Blue Enamel Finish | 4934.9                      | 2239 |
| 22251R   | Bladder Tank, Pre-piped w/4" prop. 1600 gallon Horizontal, Red Enamel Finish  | 4934.9                      | 2239 |
| 22252B   | Bladder Tank, Pre-piped w/6" prop. 1600 gallon Horizontal, Blue Enamel Finish | 5090.3                      | 2309 |
| 22252R   | Bladder Tank, Pre-piped w/6" prop. 1600 gallon Horizontal, Red Enamel Finish  | 5090.3                      | 2309 |
| 22253B   | Bladder Tank, Pre-piped w/8" prop. 1600 gallon Horizontal, Blue Enamel Finish | 5326.2                      | 2416 |
| 22253R   | Bladder Tank, Pre-piped w/8" prop. 1600 gallon Horizontal, Red Enamel Finish  | 5326.2                      | 2416 |
| 22254B   | Bladder Tank, Pre-piped w/6" prop. 1800 gallon Horizontal, Blue Enamel Finish | 5453.3                      | 2474 |
| 22254R   | Bladder Tank, Pre-piped w/6" prop. 1800 gallon Horizontal, Red Enamel Finish  | 5453.3                      | 2474 |
| 22255B   | Bladder Tank, Pre-piped w/8" prop. 1800 gallon Horizontal, Blue Enamel Finish | 5689.2                      | 2581 |
| 22255R   | Bladder Tank, Pre-piped w/8" prop. 1800 gallon Horizontal, Red Enamel Finish  | 5689.2                      | 2581 |
| 22256B   | Bladder Tank, Pre-piped w/6" prop. 1900 gallon Horizontal, Blue Enamel Finish | 5678.3                      | 2576 |
| 22256R   | Bladder Tank, Pre-piped w/6" prop. 1900 gallon Horizontal, Red Enamel Finish  | 5678.3                      | 2576 |
| 22257B   | Bladder Tank, Pre-piped w/8" prop. 1900 gallon Horizontal, Blue Enamel Finish | 5914.2                      | 2683 |
| 22257R   | Bladder Tank, Pre-piped w/8" prop. 1900 gallon Horizontal, Red Enamel Finish  | 5914.2                      | 2683 |







*Ordering Information - Horizontal continued*

| PART NO. | DESCRIPTION   | APPROXIMATE<br>EMPTY WEIGHT |      |
|----------|---|-----------------------------|------|
|          |   | lb                          | kg   |
| 22258B   | Bladder Tank, Pre-piped w/6" prop. 2000 gallon Horizontal, Blue Enamel Finish | 5903.3                      | 2678 |
| 22258R   | Bladder Tank, Pre-piped w/6" prop. 2000 gallon Horizontal, Red Enamel Finish  | 5903.3                      | 2678 |
| 22259B   | Bladder Tank, Pre-piped w/8" prop. 2000 gallon Horizontal, Blue Enamel Finish | 6139.2                      | 2785 |
| 22259R   | Bladder Tank, Pre-piped w/8" prop. 2000 gallon Horizontal, Red Enamel Finish  | 6139.2                      | 2785 |
| 22260B   | Bladder Tank, Pre-piped w/6" prop. 2200 gallon Horizontal, Blue Enamel Finish | 6286.3                      | 2852 |
| 22260R   | Bladder Tank, Pre-piped w/6" prop. 2200 gallon Horizontal, Red Enamel Finish  | 6286.3                      | 2852 |
| 22261B   | Bladder Tank, Pre-piped w/8" prop. 2200 gallon Horizontal, Blue Enamel Finish | 6522.2                      | 2959 |
| 22261R   | Bladder Tank, Pre-piped w/8" prop. 2200 gallon Horizontal, Red Enamel Finish  | 6522.2                      | 2959 |
| 22262B   | Bladder Tank, Pre-piped w/6" prop. 2400 gallon Horizontal, Blue Enamel Finish | 6698.3                      | 3039 |
| 22262R   | Bladder Tank, Pre-piped w/6" prop. 2400 gallon Horizontal, Red Enamel Finish  | 6698.3                      | 3039 |
| 22263B   | Bladder Tank, Pre-piped w/8" prop. 2400 gallon Horizontal, Blue Enamel Finish | 6934.2                      | 3146 |
| 22263R   | Bladder Tank, Pre-piped w/8" prop. 2400 gallon Horizontal, Red Enamel Finish  | 6934.2                      | 3146 |
| 22264B   | Bladder Tank, Pre-piped w/6" prop. 2600 gallon Horizontal, Blue Enamel Finish | 7098.3                      | 3220 |
| 22264R   | Bladder Tank, Pre-piped w/6" prop. 2600 gallon Horizontal, Red Enamel Finish  | 7098.3                      | 3220 |
| 22265B   | Bladder Tank, Pre-piped w/8" prop. 2600 gallon Horizontal, Blue Enamel Finish | 7334.2                      | 3327 |
| 22265R   | Bladder Tank, Pre-piped w/8" prop. 2600 gallon Horizontal, Red Enamel Finish  | 7334.2                      | 3327 |
| 22266B   | Bladder Tank, Pre-piped w/6" prop. 2800 gallon Horizontal, Blue Enamel Finish | 7477.3                      | 3392 |
| 22266R   | Bladder Tank, Pre-piped w/6" prop. 2800 gallon Horizontal, Red Enamel Finish  | 7477.3                      | 3392 |
| 22267B   | Bladder Tank, Pre-piped w/8" prop. 2800 gallon Horizontal, Blue Enamel Finish | 7713.2                      | 3499 |
| 22267R   | Bladder Tank, Pre-piped w/8" prop. 2800 gallon Horizontal, Red Enamel Finish  | 7713.2                      | 3499 |
| 22268B   | Bladder Tank, Pre-piped w/6" prop. 3000 gallon Horizontal, Blue Enamel Finish | 7877.3                      | 3574 |
| 22268R   | Bladder Tank, Pre-piped w/6" prop. 3000 gallon Horizontal, Red Enamel Finish  | 7877.3                      | 3574 |
| 22269B   | Bladder Tank, Pre-piped w/8" prop. 3000 gallon Horizontal, Blue Enamel Finish | 8113.2                      | 3681 |
| 22269R   | Bladder Tank, Pre-piped w/8" prop. 3000 gallon Horizontal, Red Enamel Finish  | 8113.2                      | 3681 |
| 22270B   | Bladder Tank, Pre-piped w/6" prop. 3200 gallon Horizontal, Blue Enamel Finish | 8279.3                      | 3756 |
| 22270R   | Bladder Tank, Pre-piped w/6" prop. 3200 gallon Horizontal, Red Enamel Finish  | 8279.3                      | 3756 |
| 22271B   | Bladder Tank, Pre-piped w/8" prop. 3200 gallon Horizontal, Blue Enamel Finish | 8515.2                      | 3863 |
| 22271R   | Bladder Tank, Pre-piped w/8" prop. 3200 gallon Horizontal, Red Enamel Finish  | 8515.2                      | 3863 |
| 22272B   | Bladder Tank, Pre-piped w/6" prop. 3300 gallon Horizontal, Blue Enamel Finish | 8499.3                      | 3856 |
| 22272R   | Bladder Tank, Pre-piped w/6" prop. 3300 gallon Horizontal, Red Enamel Finish  | 8499.3                      | 3856 |
| 22273B   | Bladder Tank, Pre-piped w/8" prop. 3300 gallon Horizontal, Blue Enamel Finish | 8735.2                      | 3963 |
| 22273R   | Bladder Tank, Pre-piped w/8" prop. 3300 gallon Horizontal, Red Enamel Finish  | 8735.2                      | 3963 |





*Ordering Information - Vertical*

**BLADDER TANKS - VERTICAL / PRE-PIPED**

| PART NO. | DESCRIPTION  | APPROXIMATE<br>EMPTY WEIGHT |     |
|----------|--|-----------------------------|-----|
|          |  | lb                          | kg  |
| 22601B   | Bladder Tank, Pre-piped w/2" Prop. 50 gallon Vertical, Blue Enamel Finish      | 304.7                       | 139 |
| 22601R   | Bladder Tank, Pre-piped w/2" Prop. 50 gallon Vertical, Red Enamel Finish       | 304.7                       | 139 |
| 22602B   | Bladder Tank, Pre-piped w/2-1/2" Prop. 50 gallon Vertical, Blue Enamel Finish  | 327.2                       | 149 |
| 22602R   | Bladder Tank, Pre-piped w/2-1/2" Prop. 50 gallon Vertical, Red Enamel Finish   | 327.2                       | 149 |
| 22603B   | Bladder Tank, Pre-piped w/2" Prop. 100 gallon Vertical, Blue Enamel Finish     | 454.7                       | 207 |
| 22603R   | Bladder Tank, Pre-piped w/2" Prop. 100 gallon Vertical, Red Enamel Finish      | 454.7                       | 207 |
| 22604B   | Bladder Tank, Pre-piped w/2-1/2" Prop. 100 gallon Vertical, Blue Enamel Finish | 477.2                       | 217 |
| 22604R   | Bladder Tank, Pre-piped w/2-1/2" Prop. 100 gallon Vertical, Red Enamel Finish  | 477.2                       | 217 |
| 22605B   | Bladder Tank, Pre-piped w/3" Prop. 100 gallon Vertical, Blue Enamel Finish     | 555.3                       | 252 |
| 22605R   | Bladder Tank, Pre-piped w/3" Prop. 100 gallon Vertical, Red Enamel Finish      | 555.3                       | 252 |
| 22606B   | Bladder Tank, Pre-piped w/2-1/2" Prop. 150 gallon Vertical, Blue Enamel Finish | 632.2                       | 287 |
| 22606R   | Bladder Tank, Pre-piped w/2-1/2" Prop. 150 gallon Vertical, Red Enamel Finish  | 632.2                       | 287 |
| 22607B   | Bladder Tank, Pre-piped w/3" Prop. 150 gallon Vertical, Blue Enamel Finish     | 710.3                       | 323 |
| 22607R   | Bladder Tank, Pre-piped w/3" Prop. 150 gallon Vertical, Red Enamel Finish      | 710.3                       | 323 |
| 22608B   | Bladder Tank, Pre-piped w/4" Prop. 150 gallon Vertical, Blue Enamel Finish     | 786                         | 357 |
| 22608R   | Bladder Tank, Pre-piped w/4" Prop. 150 gallon Vertical, Red Enamel Finish      | 786                         | 357 |
| 22609B   | Bladder Tank, Pre-piped w/2-1/2" Prop. 200 gallon Vertical, Blue Enamel Finish | 757.2                       | 344 |
| 22609R   | Bladder Tank, Pre-piped w/2-1/2" Prop. 200 gallon Vertical, Red Enamel Finish  | 757.2                       | 344 |
| 22610B   | Bladder Tank, Pre-piped w/3" Prop. 200 gallon Vertical, Blue Enamel Finish     | 835.3                       | 379 |
| 22610R   | Bladder Tank, Pre-piped w/3" Prop. 200 gallon Vertical, Red Enamel Finish      | 835.3                       | 379 |
| 22611B   | Bladder Tank, Pre-piped w/4" Prop. 200 gallon Vertical, Blue Enamel Finish     | 911                         | 414 |
| 22611R   | Bladder Tank, Pre-piped w/4" Prop. 200 gallon Vertical, Red Enamel Finish      | 911                         | 414 |
| 22612B   | Bladder Tank, Pre-piped w/3" Prop. 300 gallon Vertical, Blue Enamel Finish     | 1175.3                      | 534 |
| 22612R   | Bladder Tank, Pre-piped w/3" Prop. 300 gallon Vertical, Red Enamel Finish      | 1175.3                      | 534 |
| 22613B   | Bladder Tank, Pre-piped w/4" Prop. 300 gallon Vertical, Blue Enamel Finish     | 1251                        | 568 |
| 22613R   | Bladder Tank, Pre-piped w/4" Prop. 300 gallon Vertical, Red Enamel Finish      | 1251                        | 568 |
| 22614B   | Bladder Tank, Pre-piped w/6" Prop. 300 gallon Vertical, Blue Enamel Finish     | 1407.1                      | 639 |
| 22614R   | Bladder Tank, Pre-piped w/6" Prop. 300 gallon Vertical, Red Enamel Finish      | 1407.1                      | 639 |
| 22615B   | Bladder Tank, Pre-piped w/3" Prop. 400 gallon Vertical, Blue Enamel Finish     | 1575.3                      | 715 |
| 22615R   | Bladder Tank, Pre-piped w/3" Prop. 400 gallon Vertical, Red Enamel Finish      | 1575.3                      | 715 |
| 22616B   | Bladder Tank, Pre-piped w/4" Prop. 400 gallon Vertical, Blue Enamel Finish     | 1651                        | 749 |
| 22616R   | Bladder Tank, Pre-piped w/4" Prop. 400 gallon Vertical, Red Enamel Finish      | 1651                        | 749 |
| 22617B   | Bladder Tank, Pre-piped w/6" Prop. 400 gallon Vertical, Blue Enamel Finish     | 1807.1                      | 820 |
| 22617R   | Bladder Tank, Pre-piped w/6" Prop. 400 gallon Vertical, Red Enamel Finish      | 1807.1                      | 820 |





*Ordering Information - Vertical continued*

| PART NO. | DESCRIPTION   | APPROXIMATE EMPTY WEIGHT |      |
|----------|---|--------------------------|------|
|          |   | lb                       | kg   |
| 22618B   | Bladder Tank, Pre-piped w/4" Prop. 500 gallon Vertical, Blue Enamel Finish  | 1701                     | 772  |
| 22618R   | Bladder Tank, Pre-piped w/4" Prop. 500 gallon Vertical, Red Enamel Finish   | 1701                     | 772  |
| 22619B   | Bladder Tank, Pre-piped w/6" Prop. 500 gallon Vertical, Blue Enamel Finish  | 1857.1                   | 843  |
| 22619R   | Bladder Tank, Pre-piped w/6" Prop. 500 gallon Vertical, Red Enamel Finish   | 1857.1                   | 843  |
| 22620B   | Bladder Tank, Pre-piped w/8" Prop. 500 gallon Vertical, Blue Enamel Finish  | 2094.6                   | 951  |
| 22620R   | Bladder Tank, Pre-piped w/8" Prop. 500 gallon Vertical, Red Enamel Finish   | 2094.6                   | 951  |
| 22621B   | Bladder Tank, Pre-piped w/4" Prop. 600 gallon Vertical, Blue Enamel Finish  | 1796                     | 815  |
| 22621R   | Bladder Tank, Pre-piped w/4" Prop. 600 gallon Vertical, Red Enamel Finish   | 1796                     | 815  |
| 22622B   | Bladder Tank, Pre-piped w/6" Prop. 600 gallon Vertical, Blue Enamel Finish  | 1952.1                   | 886  |
| 22622R   | Bladder Tank, Pre-piped w/6" Prop. 600 gallon Vertical, Red Enamel Finish   | 1952.1                   | 886  |
| 22623B   | Bladder Tank, Pre-piped w/8" Prop. 600 gallon Vertical, Blue Enamel Finish  | 2189.6                   | 994  |
| 22623R   | Bladder Tank, Pre-piped w/8" Prop. 600 gallon Vertical, Red Enamel Finish   | 2189.6                   | 994  |
| 22624B   | Bladder Tank, Pre-piped w/4" Prop. 700 gallon Vertical, Blue Enamel Finish  | 1926                     | 874  |
| 22624R   | Bladder Tank, Pre-piped w/4" Prop. 700 gallon Vertical, Red Enamel Finish   | 1926                     | 874  |
| 22625B   | Bladder Tank, Pre-piped w/6" Prop. 700 gallon Vertical, Blue Enamel Finish  | 2082.1                   | 945  |
| 22625R   | Bladder Tank, Pre-piped w/6" Prop. 700 gallon Vertical, Red Enamel Finish   | 2082.1                   | 945  |
| 22626B   | Bladder Tank, Pre-piped w/8" Prop. 700 gallon Vertical, Blue Enamel Finish  | 2319.6                   | 1053 |
| 22626R   | Bladder Tank, Pre-piped w/8" Prop. 700 gallon Vertical, Red Enamel Finish   | 2319.6                   | 1053 |
| 22627B   | Bladder Tank, Pre-piped w/4" Prop. 800 gallon Vertical, Blue Enamel Finish  | 2126                     | 965  |
| 22627R   | Bladder Tank, Pre-piped w/4" Prop. 800 gallon Vertical, Red Enamel Finish   | 2126                     | 965  |
| 22628B   | Bladder Tank, Pre-piped w/6" Prop. 800 gallon Vertical, Blue Enamel Finish  | 2282.1                   | 1036 |
| 22628R   | Bladder Tank, Pre-piped w/6" Prop. 800 gallon Vertical, Red Enamel Finish   | 2282.1                   | 1036 |
| 22629B   | Bladder Tank, Pre-piped w/8" Prop. 800 gallon Vertical, Blue Enamel Finish  | 2519.6                   | 1143 |
| 22629R   | Bladder Tank, Pre-piped w/8" Prop. 800 gallon Vertical, Red Enamel Finish   | 2519.6                   | 1143 |
| 22630B   | Bladder Tank, Pre-piped w/4" Prop. 900 gallon Vertical, Blue Enamel Finish  | 2447.2                   | 1111 |
| 22630R   | Bladder Tank, Pre-piped w/4" Prop. 900 gallon Vertical, Red Enamel Finish   | 2447.2                   | 1111 |
| 22631B   | Bladder Tank, Pre-piped w/6" Prop. 900 gallon Vertical, Blue Enamel Finish  | 2604.2                   | 1182 |
| 22631R   | Bladder Tank, Pre-piped w/6" Prop. 900 gallon Vertical, Red Enamel Finish   | 2604.2                   | 1182 |
| 22632B   | Bladder Tank, Pre-piped w/8" Prop. 900 gallon Vertical, Blue Enamel Finish  | 2843                     | 1290 |
| 22632R   | Bladder Tank, Pre-piped w/8" Prop. 900 gallon Vertical, Red Enamel Finish   | 2843                     | 1290 |
| 22633B   | Bladder Tank, Pre-piped w/4" Prop. 1000 gallon Vertical, Blue Enamel Finish | 2847.2                   | 1292 |
| 22633R   | Bladder Tank, Pre-piped w/4" Prop. 1000 gallon Vertical, Red Enamel Finish  | 2847.2                   | 1292 |
| 22634B   | Bladder Tank, Pre-piped w/6" Prop. 1000 gallon Vertical, Blue Enamel Finish | 3004.2                   | 1363 |
| 22634R   | Bladder Tank, Pre-piped w/6" Prop. 1000 gallon Vertical, Red Enamel Finish  | 3004.2                   | 1363 |
| 22635B   | Bladder Tank, Pre-piped w/8" Prop. 1000 gallon Vertical, Blue Enamel Finish | 3243                     | 1472 |
| 22635R   | Bladder Tank, Pre-piped w/8" Prop. 1000 gallon Vertical, Red Enamel Finish  | 3243                     | 1472 |





*Ordering Information - Vertical continued*

| PART NO. | DESCRIPTION   | APPROXIMATE EMPTY WEIGHT |      |
|----------|---|--------------------------|------|
|          |   | lb                       | kg   |
| 22636B   | Bladder Tank, Pre-piped w/4" Prop. 1100 gallon Vertical, Blue Enamel Finish | 3207.2                   | 1455 |
| 22636R   | Bladder Tank, Pre-piped w/4" Prop. 1100 gallon Vertical, Red Enamel Finish  | 3207.2                   | 1455 |
| 22637B   | Bladder Tank, Pre-piped w/6" Prop. 1100 gallon Vertical, Blue Enamel Finish | 3364.2                   | 1526 |
| 22637R   | Bladder Tank, Pre-piped w/6" Prop. 1100 gallon Vertical, Red Enamel Finish  | 3364.2                   | 1526 |
| 22638B   | Bladder Tank, Pre-piped w/8" Prop. 1100 gallon Vertical, Blue Enamel Finish | 3603                     | 1635 |
| 22638R   | Bladder Tank, Pre-piped w/8" Prop. 1100 gallon Vertical, Red Enamel Finish  | 3603                     | 1635 |
| 22639B   | Bladder Tank, Pre-piped w/4" Prop. 1200 gallon Vertical, Blue Enamel Finish | 3322.2                   | 1507 |
| 22639R   | Bladder Tank, Pre-piped w/4" Prop. 1200 gallon Vertical, Red Enamel Finish  | 3322.2                   | 1507 |
| 22640B   | Bladder Tank, Pre-piped w/6" Prop. 1200 gallon Vertical, Blue Enamel Finish | 3479.2                   | 1579 |
| 22640R   | Bladder Tank, Pre-piped w/6" Prop. 1200 gallon Vertical, Red Enamel Finish  | 3479.2                   | 1579 |
| 22641B   | Bladder Tank, Pre-piped w/8" Prop. 1200 gallon Vertical, Blue Enamel Finish | 3718                     | 1687 |
| 22641R   | Bladder Tank, Pre-piped w/8" Prop. 1200 gallon Vertical, Red Enamel Finish  | 3718                     | 1687 |
| 22642B   | Bladder Tank, Pre-piped w/4" Prop. 1300 gallon Vertical, Blue Enamel Finish | 3422.2                   | 1553 |
| 22642R   | Bladder Tank, Pre-piped w/4" Prop. 1300 gallon Vertical, Red Enamel Finish  | 3422.2                   | 1553 |
| 22643B   | Bladder Tank, Pre-piped w/6" Prop. 1300 gallon Vertical, Blue Enamel Finish | 3579.2                   | 1624 |
| 22643R   | Bladder Tank, Pre-piped w/6" Prop. 1300 gallon Vertical, Red Enamel Finish  | 3579.2                   | 1624 |
| 22644B   | Bladder Tank, Pre-piped w/8" Prop. 1300 gallon Vertical, Blue Enamel Finish | 3818                     | 1732 |
| 22644R   | Bladder Tank, Pre-piped w/8" Prop. 1300 gallon Vertical, Red Enamel Finish  | 3818                     | 1732 |
| 22645B   | Bladder Tank, Pre-piped w/4" Prop. 1400 gallon Vertical, Blue Enamel Finish | 3557.2                   | 1614 |
| 22645R   | Bladder Tank, Pre-piped w/4" Prop. 1400 gallon Vertical, Red Enamel Finish  | 3557.2                   | 1614 |
| 22646B   | Bladder Tank, Pre-piped w/6" Prop. 1400 gallon Vertical, Blue Enamel Finish | 3714.2                   | 1685 |
| 22646R   | Bladder Tank, Pre-piped w/6" Prop. 1400 gallon Vertical, Red Enamel Finish  | 3714.2                   | 1685 |
| 22647B   | Bladder Tank, Pre-piped w/8" Prop. 1400 gallon Vertical, Blue Enamel Finish | 3953                     | 1794 |
| 22647R   | Bladder Tank, Pre-piped w/8" Prop. 1400 gallon Vertical, Red Enamel Finish  | 3953                     | 1794 |
| 22648B   | Bladder Tank, Pre-piped w/4" Prop. 1500 gallon Vertical, Blue Enamel Finish | 3597.2                   | 1632 |
| 22648R   | Bladder Tank, Pre-piped w/4" Prop. 1500 gallon Vertical, Red Enamel Finish  | 3597.2                   | 1632 |
| 22649B   | Bladder Tank, Pre-piped w/6" Prop. 1500 gallon Vertical, Blue Enamel Finish | 3754.2                   | 1703 |
| 22649R   | Bladder Tank, Pre-piped w/6" Prop. 1500 gallon Vertical, Red Enamel Finish  | 3754.2                   | 1703 |
| 22650B   | Bladder Tank, Pre-piped w/8" Prop. 1500 gallon Vertical, Blue Enamel Finish | 3993                     | 1812 |
| 22650R   | Bladder Tank, Pre-piped w/8" Prop. 1500 gallon Vertical, Red Enamel Finish  | 3993                     | 1812 |
| 22651B   | Bladder Tank, Pre-piped w/4" Prop. 1600 gallon Vertical, Blue Enamel Finish | 3747.2                   | 1700 |
| 22651R   | Bladder Tank, Pre-piped w/4" Prop. 1600 gallon Vertical, Red Enamel Finish  | 3747.2                   | 1700 |
| 22652B   | Bladder Tank, Pre-piped w/6" Prop. 1600 gallon Vertical, Blue Enamel Finish | 3904.2                   | 1771 |
| 22652R   | Bladder Tank, Pre-piped w/6" Prop. 1600 gallon Vertical, Red Enamel Finish  | 3904.2                   | 1771 |
| 22653B   | Bladder Tank, Pre-piped w/8" Prop. 1600 gallon Vertical, Blue Enamel Finish | 4143                     | 1880 |
| 22653R   | Bladder Tank, Pre-piped w/8" Prop. 1600 gallon Vertical, Red Enamel Finish  | 4143                     | 1880 |

SOLBERGFOAM.COM

**AMERICAS**  
 THE SOLBERG COMPANY  
 1520 Brookfield Avenue  
 Green Bay, WI 54313  
 USA  
 Tel: +1 920 593 9445

**EMEA**  
 SOLBERG SCANDINAVIAN AS  
 Radøyvegen 721 - Olsvollstranda  
 N-5938 Sæbøvågen  
 Norway  
 Tel: +47 56 34 97 00

**ASIA-PACIFIC**  
 SOLBERG ASIA PACIFIC PTY LTD  
 3 Charles Street  
 St. Marys NSW 2760  
 Australia  
 Tel: +61 2 9673 5300

FORM NUMBER F-2011018-3

COPYRIGHT © 2014. ALL RIGHTS RESERVED.  
 SOLBERG® IS A TRADEMARK OF THE SOLBERG COMPANY OR ITS AFFILIATES.