

INLINE BALANCE PRESSURE PROPORTIONERS

HARDWARE



Features

All brass construction with stainless steel sensing lines

Balancing valve to provide accurate proportioning over a wide range of flow rates

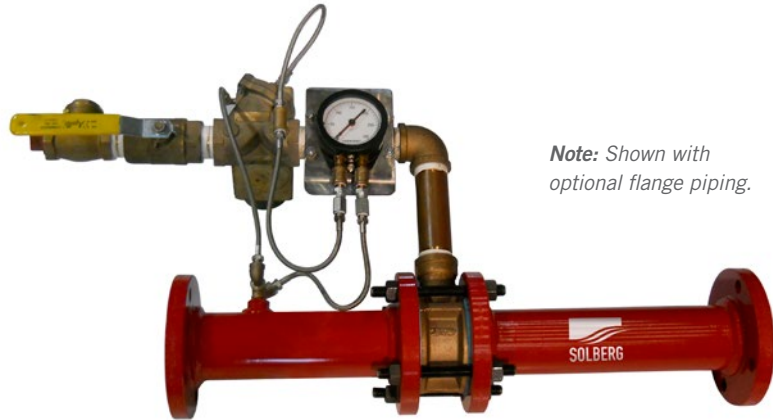
Compatible with all Solberg foam concentrates

Manual override

Six sizes available 2.0" - 8.0" (51 mm - 203 mm)

Description

The SOLBERG® Inline Balanced Pressure (ILBP) proportioner is a complete self-contained device that incorporates the necessary components including ratio controller, duplex gauge, balancing valve, check valve, ball valve, and associated brass piping. SOLBERG ILBPs are designed to balance the incoming foam concentrate pressure with the incoming fire-water pressure, and meter the correct amount of foam concentrate to fire-water stream over a wide range of flow rates and pressures. The ILBP system works with a positive displacement foam pump, to supply foam concentrate



Note: Shown with optional flange piping.

to the ILBP. A pressure sustaining valve, located in the return line, carries excess foam concentrate not needed by the device back to the atmospheric storage tank. Devices are available in sizes ranging from 2.0" - 8.0" (51 mm - 203 mm).

Consult your authorized Solberg Distributor or Technical Services at the planning stage of your project for expert advice on determining the right foam equipment for your application.

Application

SOLBERG ILBPs are self-contained units that are used with atmospheric tanks, and positive displacement foam concentrate pumps in applications requiring the proportioning of large quantities of foam to multiple discharge devices. Typical applications include aircraft

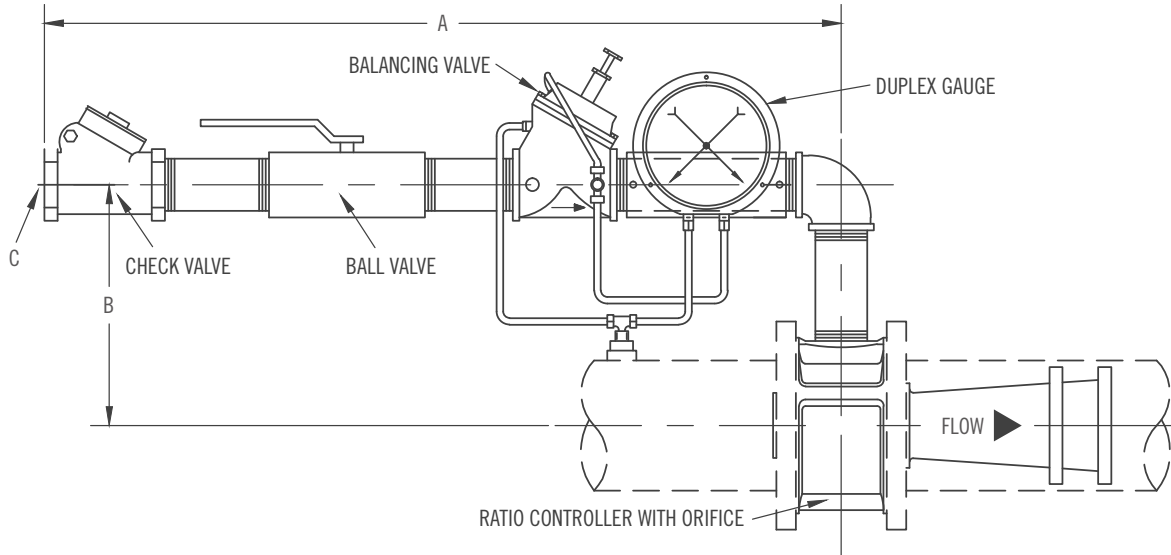
hangars, tank farms, dike protection, foam-water sprinkler systems and remote location of risers.

Specifications

The Inline Balanced Pressure proportioner assembly contains all components including ratio controller, duplex gauge, balancing valve, check valve, ball valve, and interconnecting brass piping. Balancing of foam concentrate pressure and systems water pressure is accomplished through the brass balancing valve. Correct balancing is accomplished through two sensing lines (foam-water system supply and foam concentrate line). Both lines are connected to the balancing valve and the duplex gauge which reports readings for the water and foam concentrate pressure.

SOLBERG is a member of PERIMETER SOLUTIONS, a global producer of leading fire retardant, gel and foam brands with a singular purpose: revolutionize the course of fire suppression technology with safer, more effective and more sustainable solutions. Together, we are Moving Industries Forward by Redefining Fire Suppression. www.solbergfoam.com

Dimensional Information



MODEL	APPROXIMATE DIMENSIONS Inches (Millimeters)		
	A	B	C
3.00" RCW	22.00 (559)	12.00 (305)	1.25 (31.75)
4.00" RCW	24.00 (610)	14.00 (357)	1.50 (38.10)
6.00" RCW	27.00 (686)	15.00 (381)	2.00 (50.80)
8.00" RCW	29.00 (737)	16.00 (406)	2.50 (63.50)

Performance Information

FOAM RATIO CONTROLLER	SUGGESTED SOLUTION RANGE (GPM/LPM)
3.0" (76 mm)	93-768 gpm (352-2907 lpm)
4.0" (102 mm)	207-1538 gpm (783-5822 lpm)
6.0" (152 mm)	318-2680 gpm (1204-10145 lpm)
8.0" (203 mm)	1500-4500 gpm (5678-17033 lpm)

Dimensions are approximate.
Dimensions shall be field verified before any piping is cut.

Ordering Information

RATIO CONTROLLERS / IN-LINE BALANCED PRESSURE

PART NO.	DESCRIPTION	APPROXIMATE SHIPPING WEIGHT	
		lb	kg
31100	Ratio Controller - In-Line Balance Pressure Proportioner, ILBP-2, 2.0" (51 mm), Red Enamel Finish	43	19
31101	Ratio Controller - In-Line Balance Pressure Proportioner, ILBP-3, 3.0" (76 mm), Red Enamel Finish	47	21
31102	Ratio Controller - In-Line Balance Pressure Proportioner, ILBP-4, 4.0" (102 mm), Red Enamel Finish	62	28
31103	Ratio Controller - In-Line Balance Pressure Proportioner, ILBP-6, 6.0" (152 mm), Red Enamel Finish	77	33
31104	Ratio Controller - In-Line Balance Pressure Proportioner, ILBP-8, 8.0" (203 mm), Red Enamel Finish	132	60



NOTICE: Perimeter Solutions makes no representations or warranties as to the completeness or accuracy of the information included herein. The information contained herein is not intended to provide regulatory, legal or expert advice relating to the products, its application or uses. Nothing contained herein is to be construed as a recommendation to use any product, process, equipment or formulation in conflict with any industrial property or intellectual property rights, and Perimeter Solutions makes no representation or warranty, express or implied, that the use thereof will not infringe on any industrial property or intellectual property rights. NO REPRESENTATIONS OR WARRANTIES, EITHER EXPRESSED OR IMPLIED, OF MERCHANTABILITY, FITNESS FOR A PARTICULAR PURPOSE OR OF ANY OTHER NATURE ARE MADE HEREUNDER WITH RESPECT TO THE INFORMATION CONTAINED HEREIN.

SOLBERGFOAM.COM

PERIMETER SOLUTIONS
THE SOLBERG COMPANY
1520 Brookfield Avenue
Green Bay, WI 54313
USA
Tel: +1 920 593 9445

PERIMETER SOLUTIONS
AUXQUIMIA S.A.U.
Polígono de Baiña, Parcela 23
33682 Mieres (Asturias)
Spain
Tel: +34 985 24 29 45

PERIMETER SOLUTIONS
SOLBERG ASIA PACIFIC PTY LTD
3 Charles Street
St. Marys NSW 2760
Australia
Tel: +61 2 9673 5300

FORM NUMBER F-2011009-1

COPYRIGHT © 2013. ALL RIGHTS RESERVED.
SOLBERG IS A TRADEMARK OF PERIMETER SOLUTIONS OR ITS AFFILIATES.